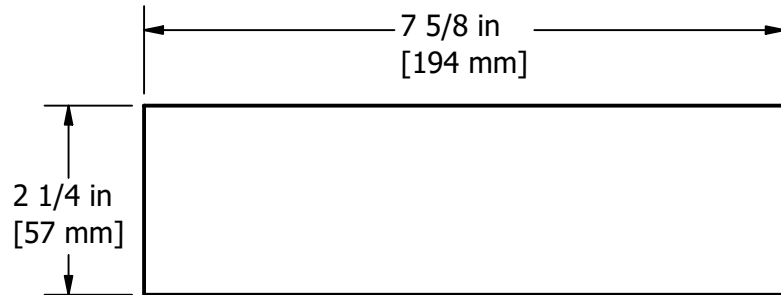
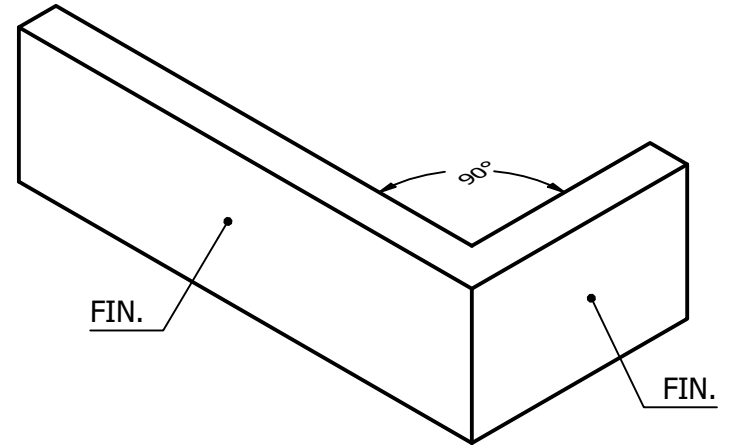
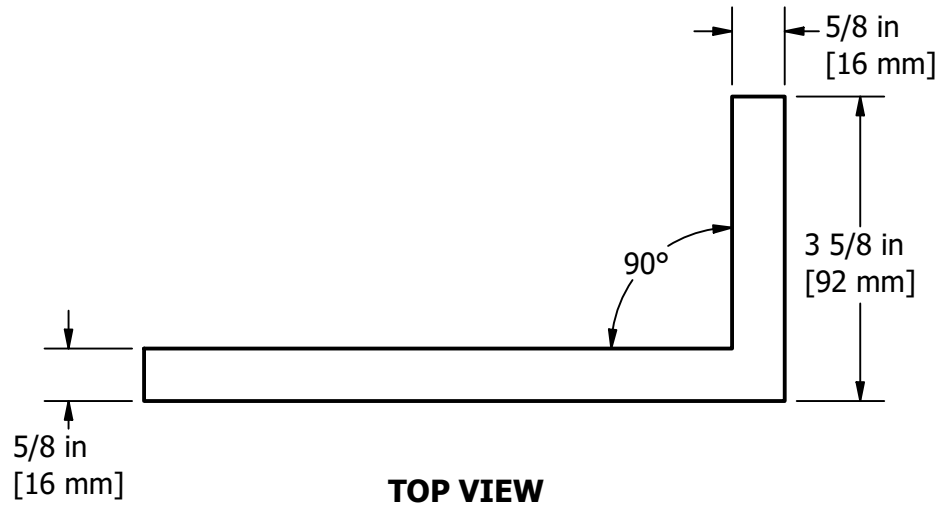


**SHAPE SHADE: \_**

**NOTE:**

- MANUFACTURER MUST HAVE THE OPTION TO PROVIDE CORE HOLES AS NECESSARY
- METRIC DIMENSIONS ARE ROUNDED
- BACK GEOMETRY, PROVIDED BY MANUFACTURER, WHEN REQUESTED



**MODULAR 5/8" THIN BRICK 90° EXTERNAL CORNER (FLAT BACK)**

v= 14.941 in<sup>3</sup>

**DISTRIBUTOR APPROVAL**

SIGNATURE

DATE:

AS DRAWN

WITH CHANGES

DATE:

DRAWN BY:

SHAPE DRAWING:

ORDER NO.:

**THE BELDEN BRICK COMPANY**  
CANTON, OHIO

**JOB:**

**DISTRIBUTOR:**