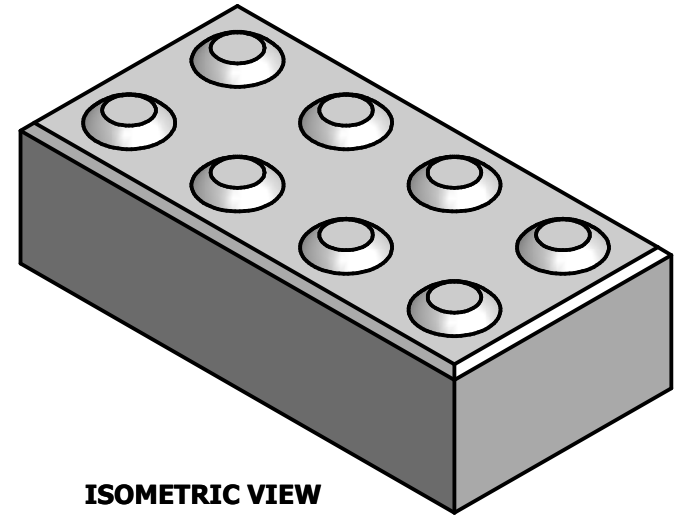
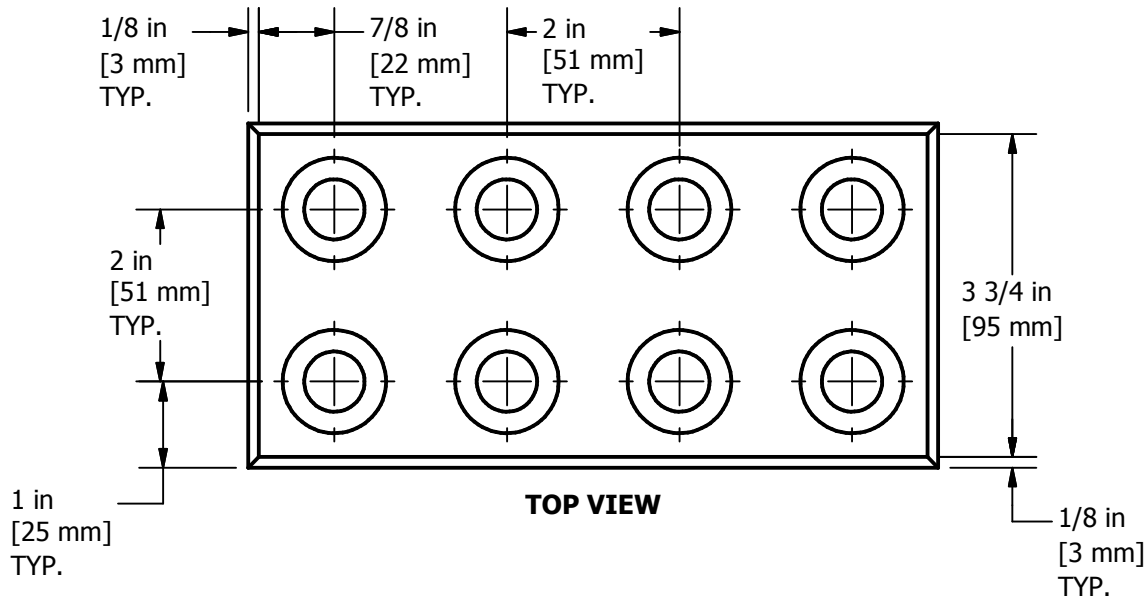
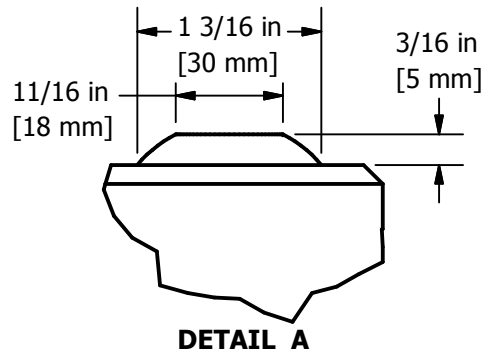
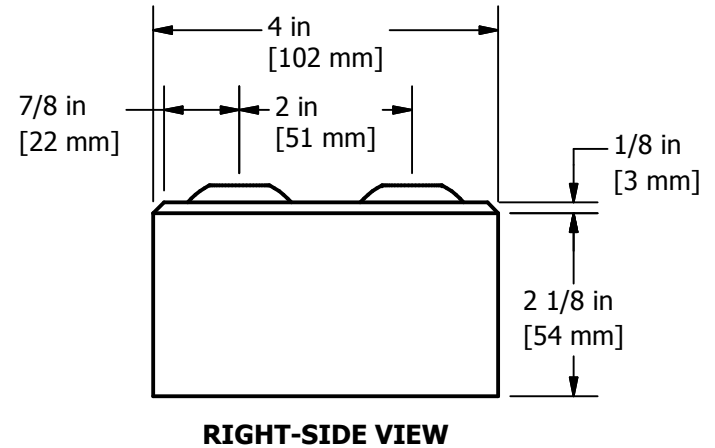
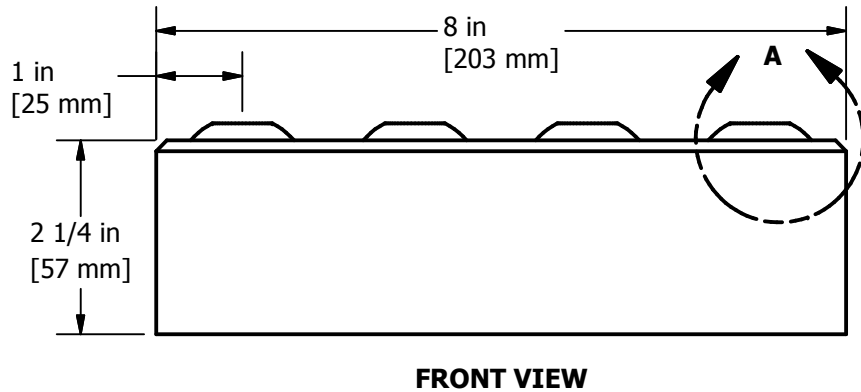


NOTE:

- METRIC DIMENSIONS ARE ROUNDED
- BRICK IS MADE TO ASTM C902-04a CLASS SX TYPE 1 SPECIFICATIONS
- BRICK IS MADE TO ASTM C1272-04a TYPES "R" & "F" APPLICATION PX SPECIFICATIONS



ISOMETRIC VIEW



**ADA PAVER
(Customer Copy)**

DATE:	12-2-05
DRAWN BY:	DMB
SHAPE DRAWING:	1
ORDER NO.:	

THE BELDEN BRICK COMPANY
CANTON, OHIO

