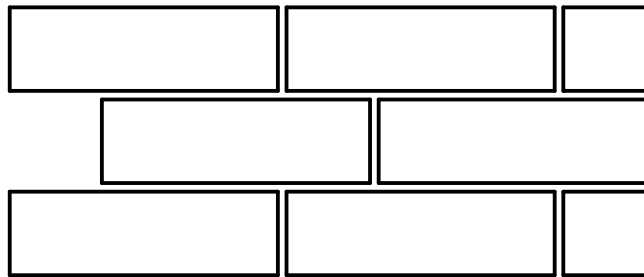
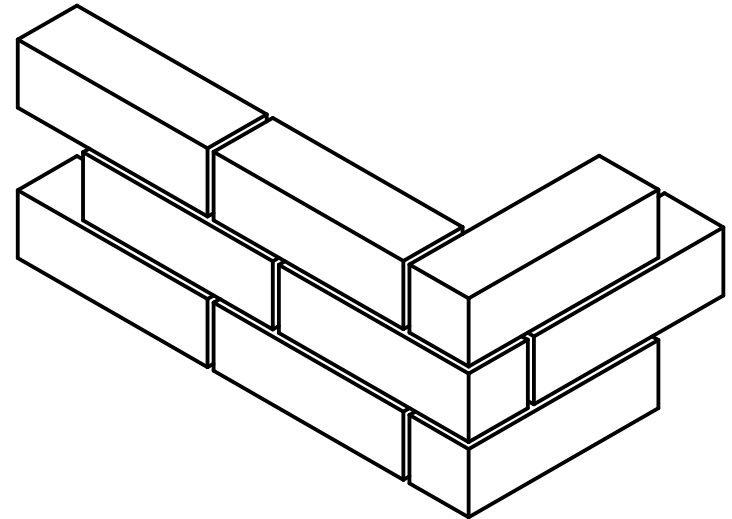


TOP VIEW



FRONT VIEW

- ALL TYPICAL UTILITY FIELD BRICK



ISOMETRIC VIEW

**90 DEG. EXTERNAL CORNER
(UTILITY - ONE-THIRD BOND)**

DATE:	THE BELDEN BRICK COMPANY CANTON, OHIO
DRAWN BY: DMB	
SHAPE DRAWING:	BELDEN
ORDER NO.:	