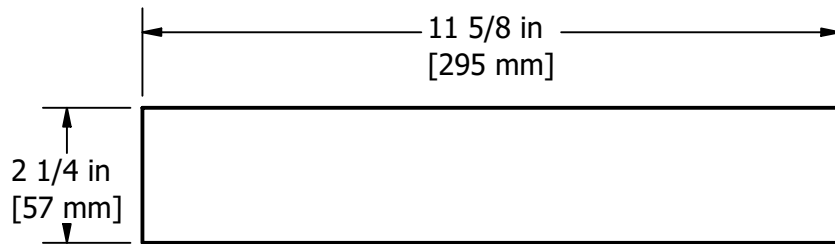
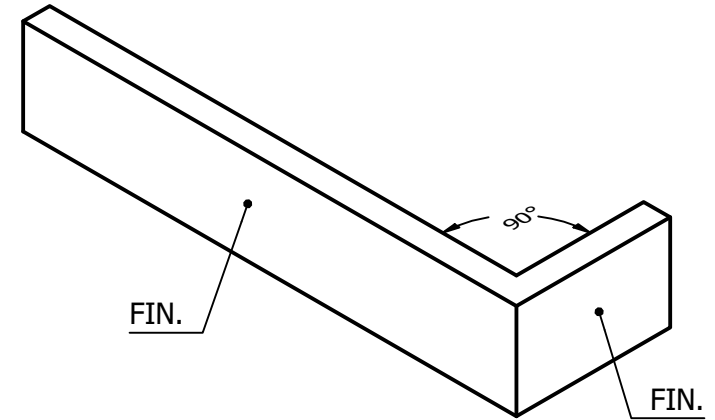
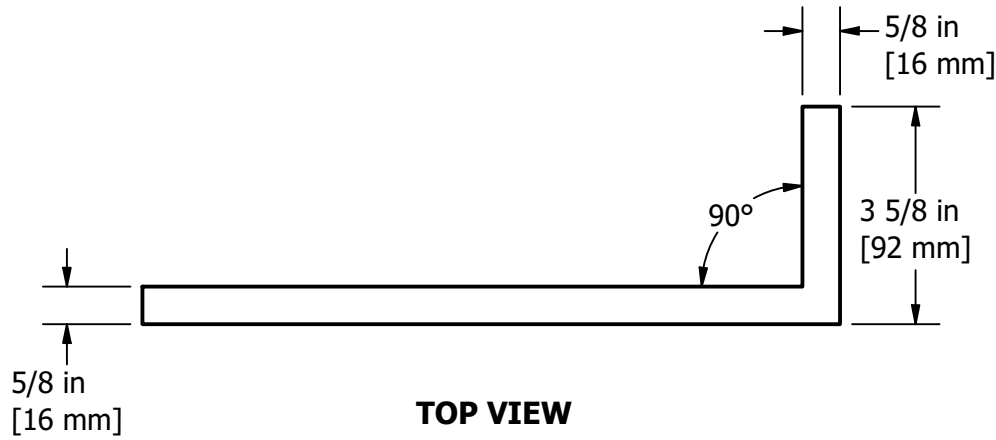


SHAPE SHADE: _

NOTE:

- MANUFACTURER MUST HAVE THE OPTION TO PROVIDE CORE HOLES AS NECESSARY
- METRIC DIMENSIONS ARE ROUNDED
- BACK GEOMETRY, PROVIDED BY MANUFACTURER, WHEN REQUESTED



NORMAN 5/8" THIN BRICK 90° EXTERNAL CORNER (FLAT BACK)

v= 20.566 in³

DISTRIBUTOR APPROVAL	
SIGNATURE	DATE:
<input type="checkbox"/> AS DRAWN	<input type="checkbox"/> WITH CHANGES

DATE:	THE BELDEN BRICK COMPANY CANTON, OHIO
DRAWN BY:	
SHAPE DRAWING:	JOB:
ORDER NO.:	DISTRIBUTOR: